

## Han-Eco Mod.24 Outd.-HSM1-M40-glanded

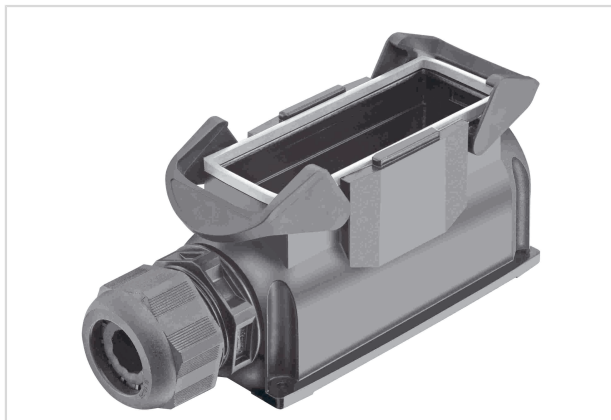


Image is for illustration purposes only. Please refer to product description.

Part number	19 41 324 0233
Specification	Han-Eco Mod.24 Outd.-HSM1-M40-glanded
HARTING eCatalogue	<a href="https://b2b.harting.com/19413240233">https://b2b.harting.com/19413240233</a>

### Identification

Category	Hoods/Housings
Series of hoods/housings	Han-Eco® Modular
Type of hood/housing	Surface mounted housing
Description of hood/housing	With integrated cable gland

### Version

Size	24 B
Module slots	7
Version	Side entry
Cable entry	1x M40
Locking type	Double locking lever

### Technical characteristics

Limiting temperature	-40 ... +125 °C
Note on the limiting temperature	For use as a connector according to IEC 61984.
Number of relockings	≥500
Degree of protection acc. to IEC 60529	IP65
Clamping range	16 ... 28 mm

### Material properties

Material (hood/housing)	Polyamide (PA) Fibre-glass reinforced
Colour (hood/housing)	RAL 9005 (jet black)



Pushing Performance  
Since 1945

## Material properties

Material (seal)	FPM
Colour (seal)	RAL 7001 (silver-grey)
Material (locking)	Polyamide (PA) Fibre-glass reinforced
Colour (locking)	RAL 9005 (jet black)
Material flammability class acc. to UL 94	V-0
Material flammability class acc. to UL 94 (locking levers)	V-0
RoHS	compliant
ELV status	compliant
China RoHS	e
REACH Annex XVII substances	Not contained
REACH ANNEX XIV substances	Not contained
REACH SVHC substances	Not contained
Fire protection on railway vehicles	EN 45545-2 (2020-08)
Requirement set with Hazard Levels	R22 (HL 1-3) R23 (HL 1-3)

## Specifications and approvals

Specifications	IEC 61984 EN 45545-2 Fire protection on railway vehicles
UL / CSA	UL 1977 ECBT2.E235076 CSA-C22.2 No. 182.3 ECBT8.E235076
CE	Yes

## Commercial data

Packaging size	1
Net weight	348.2 g
Country of origin	Germany
European customs tariff number	85389099
GTIN	5713140131873
eCl@ss	27440202 Shell for industrial connectors